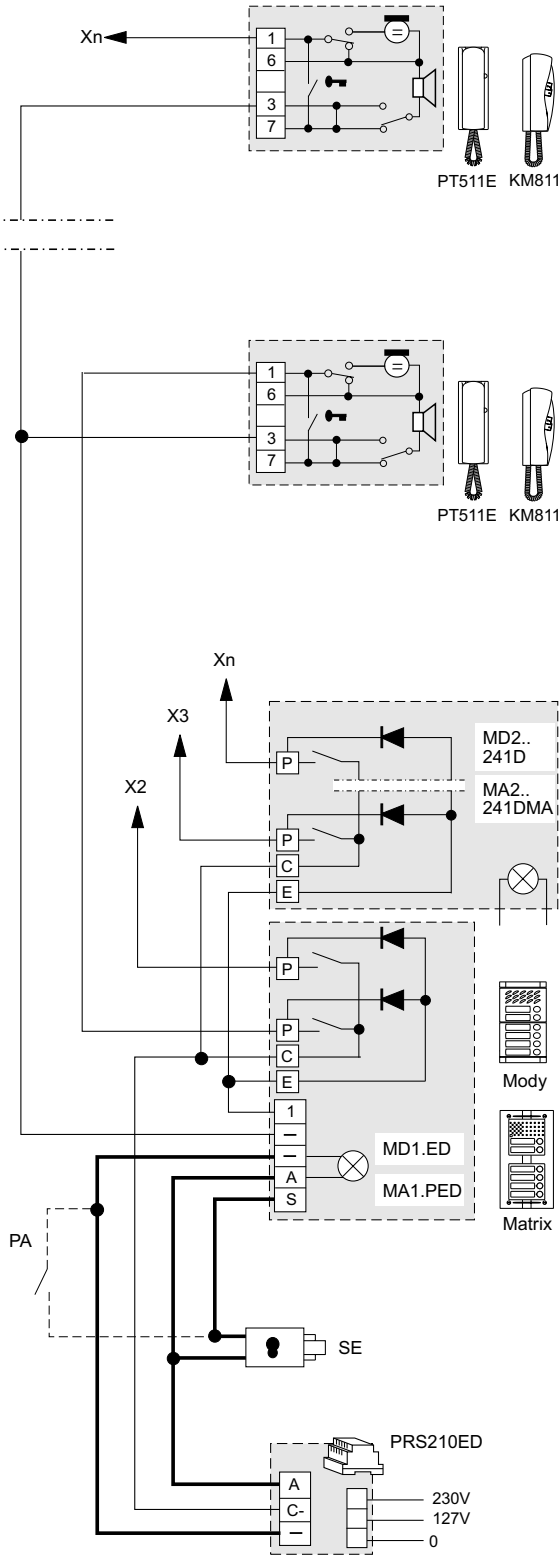


Si 21MR/1

INTERCOMS CONNECTED TO 1 EXTERNAL DOOR STATION



PA = Door release push-button (optional)
 SE = Electric door lock (12VAC-1A max.)

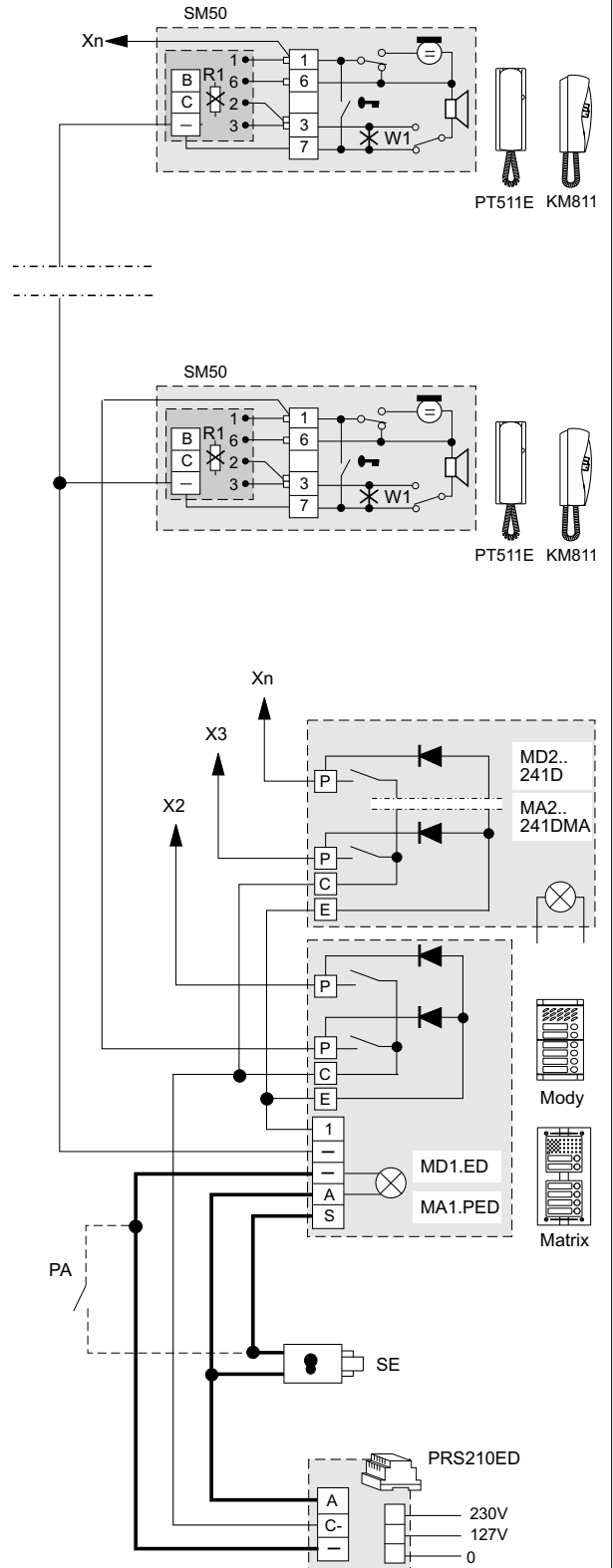
For the installation read the notes on page 243.

Si 21MR/2

INTERCOMS WITH PRIVATE CONVERSATION CONNECTED TO 1 EXTERNAL DOOR STATION

Note

- In all SM50 cut the resistance R1 and in the intercom the jumper W1.



PA = Door release push-button (optional)
 SE = Electric door lock (12VAC-1A max.)

For the installation read the notes on page 243.

